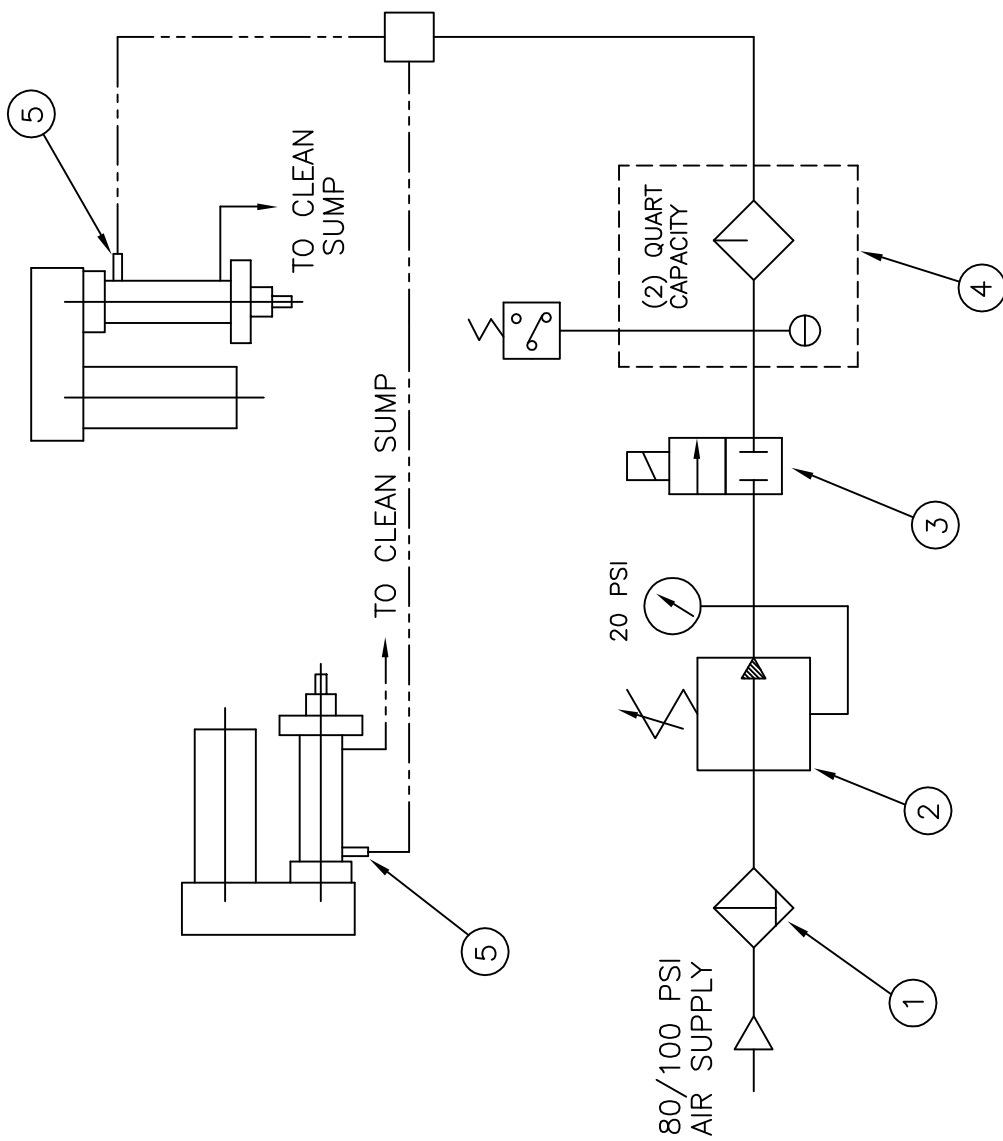


THIS PRINT IS THE PROPERTY OF E-DRIVE DESIGN, INC. AND REPRESENTS A PROPRIETARY ARTICLE TO WHICH E-DRIVE DESIGN, INC. RETAINS THE EXCLUSIVE RIGHT OF USE AND/OR MANUFACTURE AND/OR SALE. THE PRINT OR THE ARTICLE SHOWN HEREON MAY NOT BE REPRODUCED.

- NOTES:
1. USE MOBIL MIST LUBE #27; 481 S.U.S. VISCOCITY @ 100° F.
  2. OIL LINES TO BE 1/4" TUBING.
  3. LINES TO BE APPROXIMATELY EQUAL IN LENGTH WHEN LUBRICATING MORE THAN ONE ACTUATOR..
  4. EACH ACTUATOR MUST RECEIVE 1-1/2 DROPS PER MINUTE.
  5. REF. 1 DROP = .003 CUBIC INCHES.
  6. FOR START-UP AND ADJUSTMENTS SEE LUBRICATORS MANUFACTURERS INSTRUCTIONS.
  - \* 7. 10:1 RATIO AT LUBRICATOR



\* EXAMPLE: 15 DROPS AT LUBE FOR 1-1/2 DROPS AT ACTUATOR.

ITEM	QTY	NAME	SPECIFICATION
5	AS REQD	RECLASSIFIER	NORGREN 18-009-014
4	1	LUBRICATOR w/SWITCH	NORGREN 10-015-005-3A
3	1	SOLENOID	ALCON U21-44-21-12
2	1	REGULATOR	NORGREN R73G-2AK-RFG
1	1	FILTER	NORGREN F73G-2AN-AT2

**E-DRIVE Design, Inc.**  
 E•DRIVE Design, Inc. • 120 Vanderbilt Avenue • West Hartford, Connecticut

SCALE NONE  
 DATE 9-84  
 DRAWING NAME LUBRICATION DIAGRAM

MATL: DRAWN BY SM

FOR AMBIENT TEMPERATURE'S > 110° F DRAWING NUMBER B-251A-1

REV.	BY	DATE	UPDATED P/N'S	CHANGE
A	JLP	1-99		