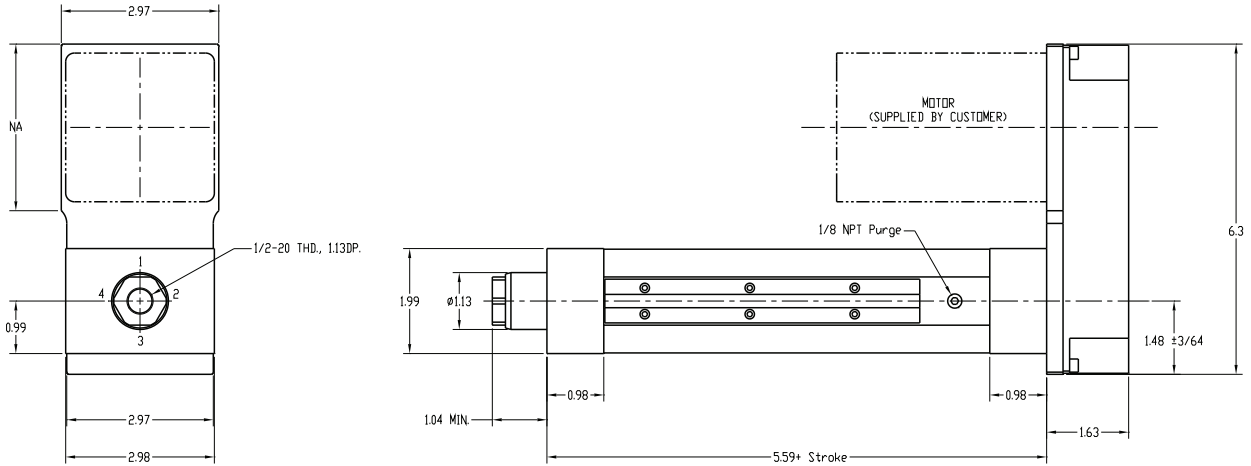


Eliminator HD201 Actuator
With Switch Tracks for Mounting Limit Switches
English Dimensions

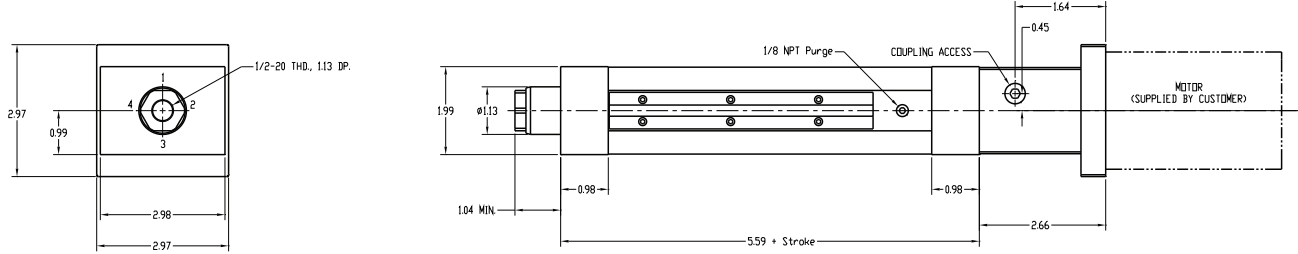


Motor Mount Configurations (*choose one*)

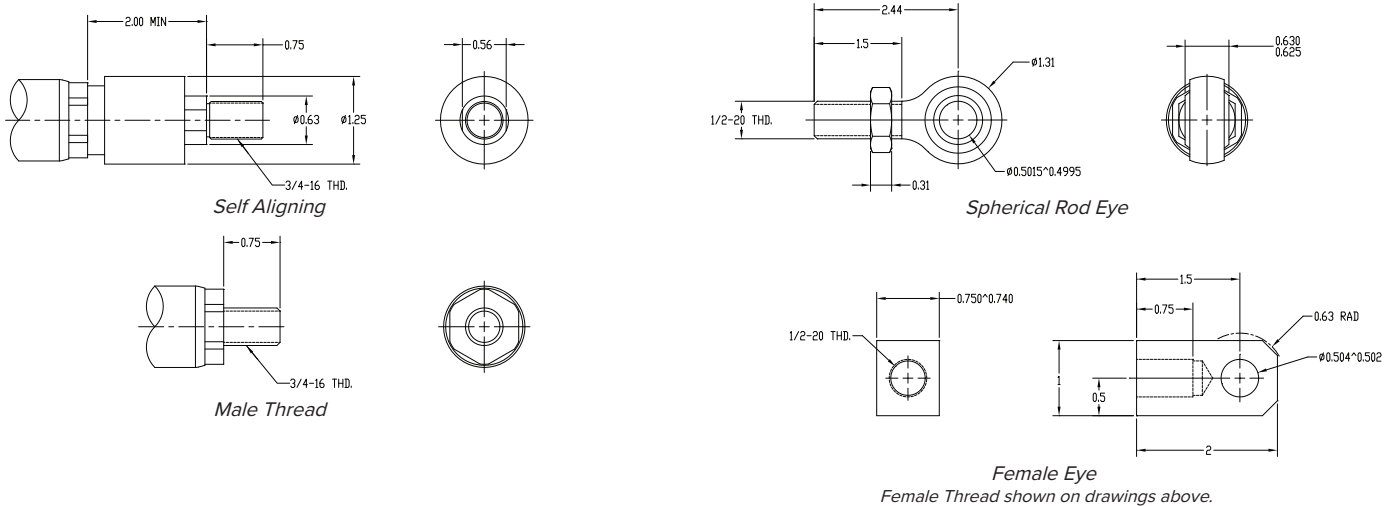
HD201 Parallel Offset Motor Configuration



HD201 Inline Motor Configuration



HD201 Rod End Conditions (*choose one*)

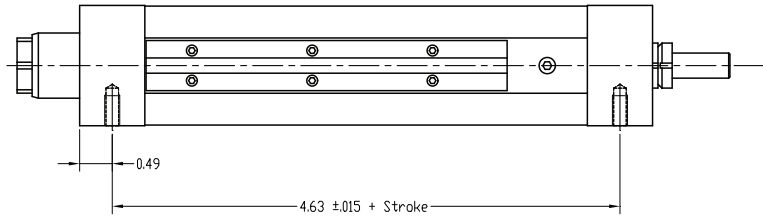
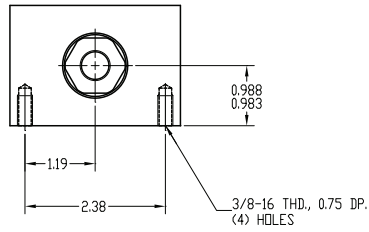


Eliminator HD201 Actuator
With Switch Tracks for Mounting Limit Switches
English Dimensions

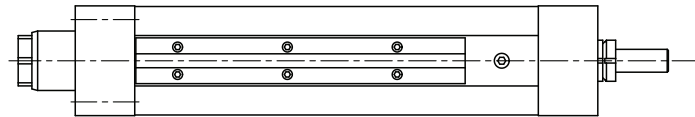
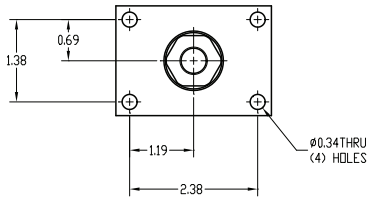


HD201 Actuator Mount Configurations (*choose one*)

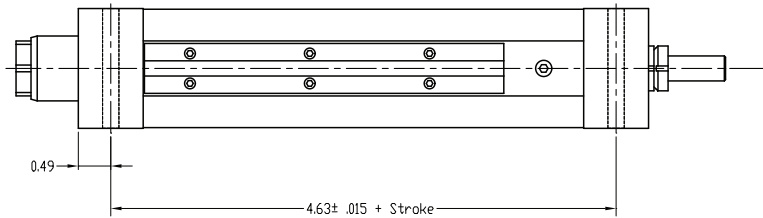
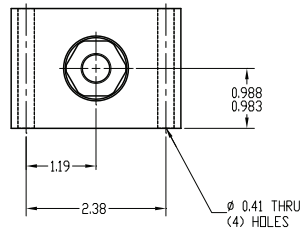
HD201 Bottom Mount Dimensions



HD201 Front Flange Mount Dimensions



HD201 Foot Mount Dimensions



HD201 Trunnion Front Mount or Rear Mount Dimensions

