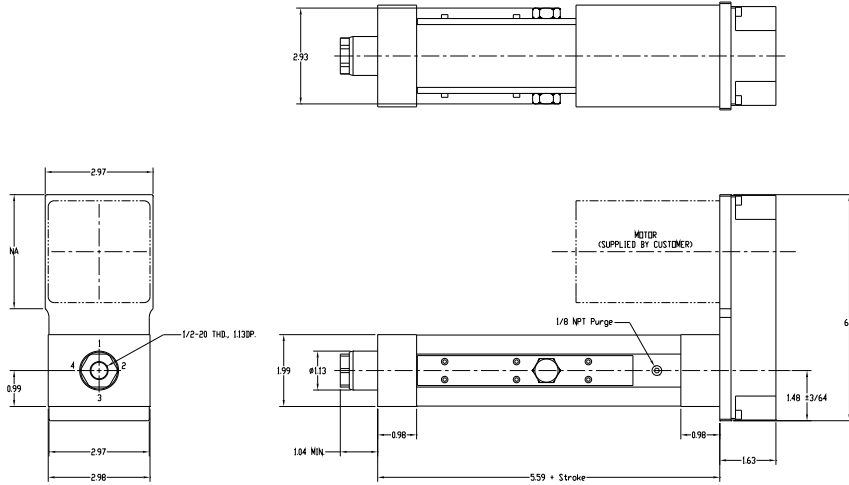


**Eliminator HD201 Actuator**  
Without Switch Tracks for Mounting Limit Switches  
English Dimensions

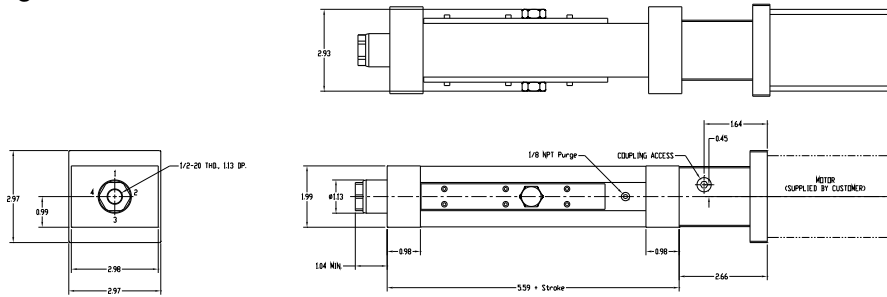


**Motor Mount Configurations** (*choose one*)

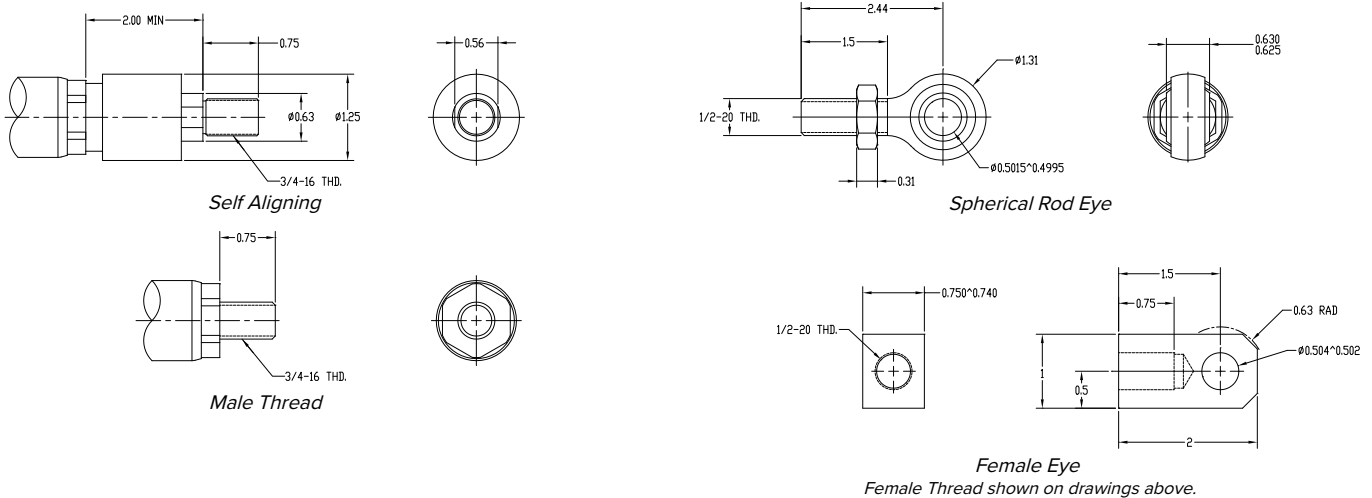
**HD201 Parallel Offset Motor Configuration**



**HD201 Inline Motor Configuration**



**HD201 Rod End Conditions** (*choose one*)

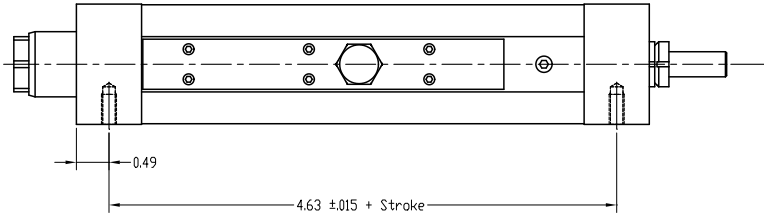
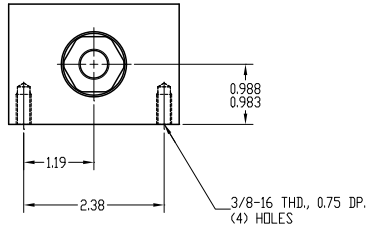


**Eliminator HD201 Actuator**  
Without Switch Tracks for Mounting Limit Switches  
English Dimensions

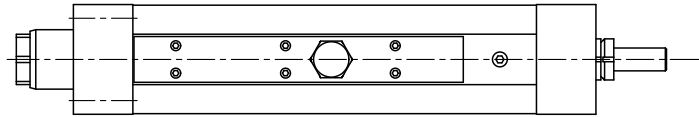
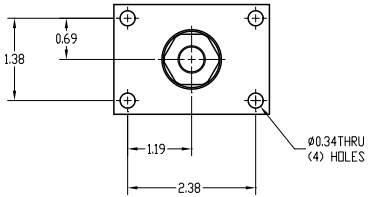


**HD201 Actuator Mount Configurations** (*choose one*)

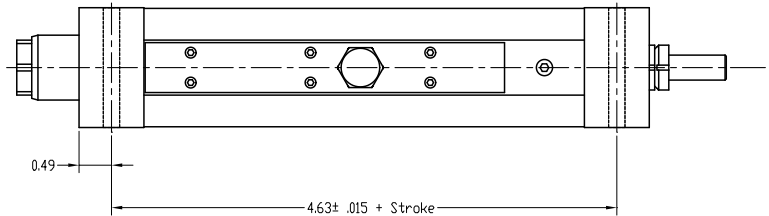
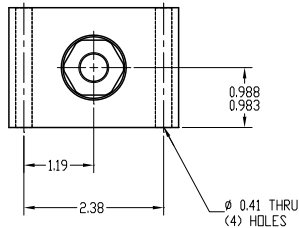
**HD201 Bottom Mount Dimensions**



**HD201 Front Flange Mount Dimensions**



**HD201 Foot Mount Dimensions**



**HD201 Trunnion Front Mount or Rear Mount Dimensions**

