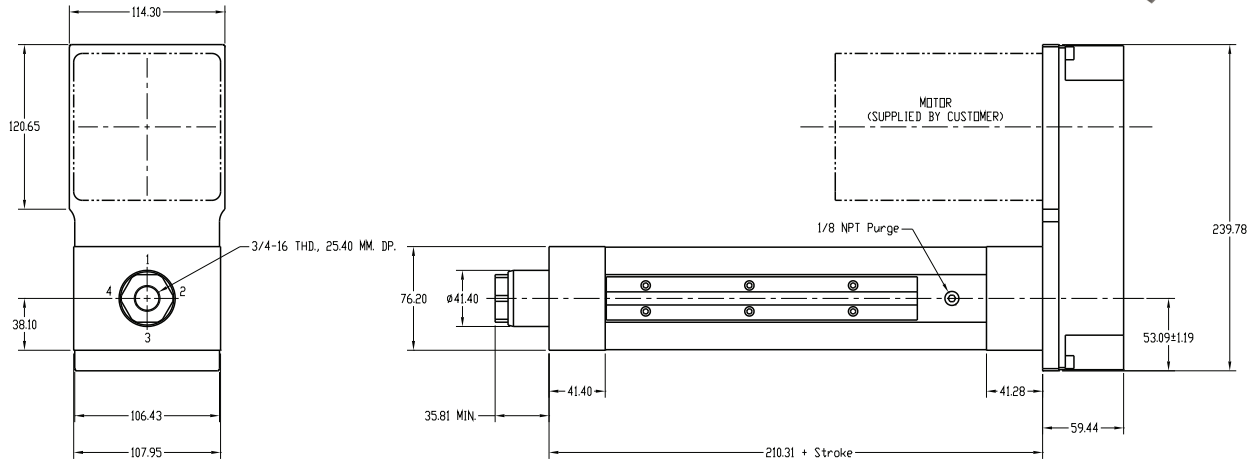


**Eliminator HD302 Actuator**  
With Switch Tracks for Mounting Limit Switches  
Metric Dimensions

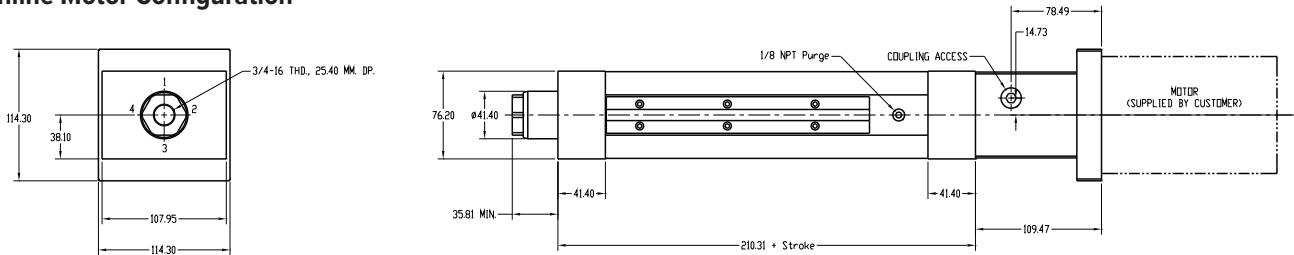


**Motor Mount Configurations** (choose one)

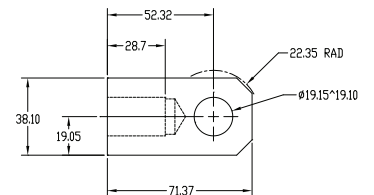
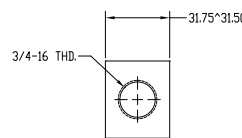
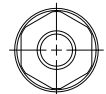
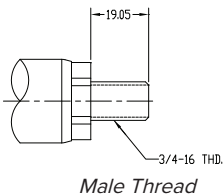
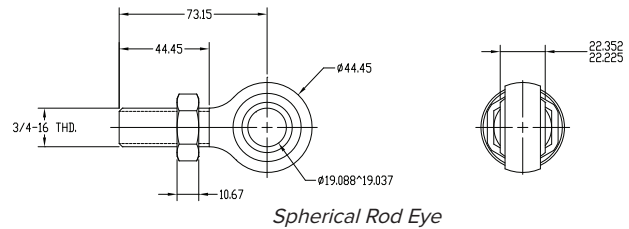
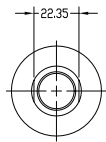
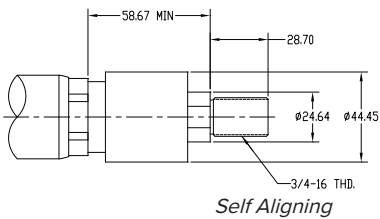
**HD302 Parallel Offset Motor Configuration**



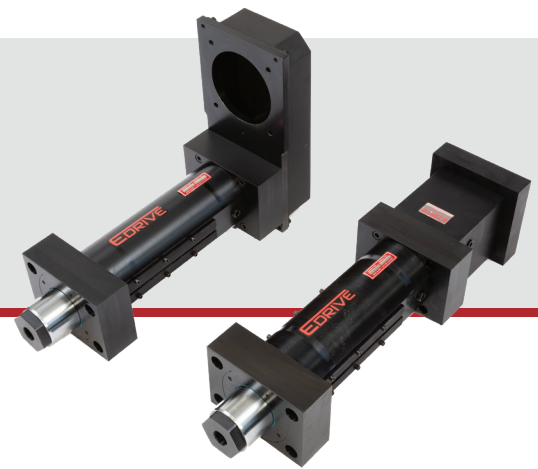
**HD302 Inline Motor Configuration**



**HD302 Rod End Conditions** (choose one)

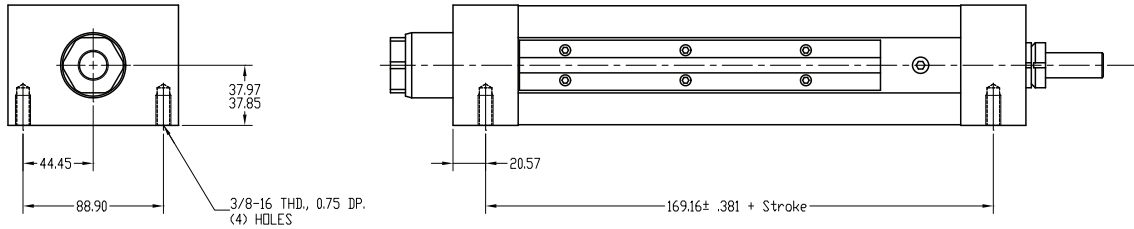


**Eliminator HD302 Actuator**  
With Switch Tracks for Mounting Limit Switches  
Metric Dimensions

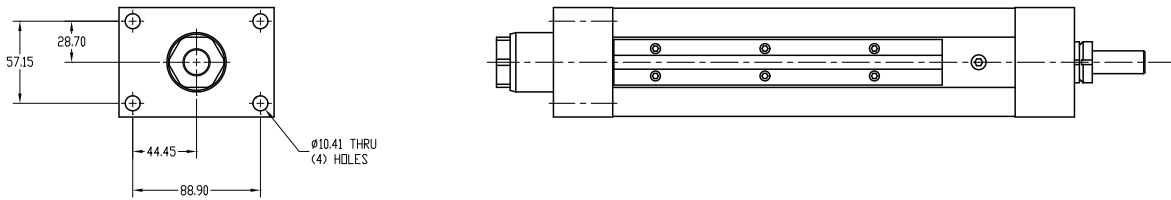


**HD302 Actuator Mount Configurations** (*choose one*)

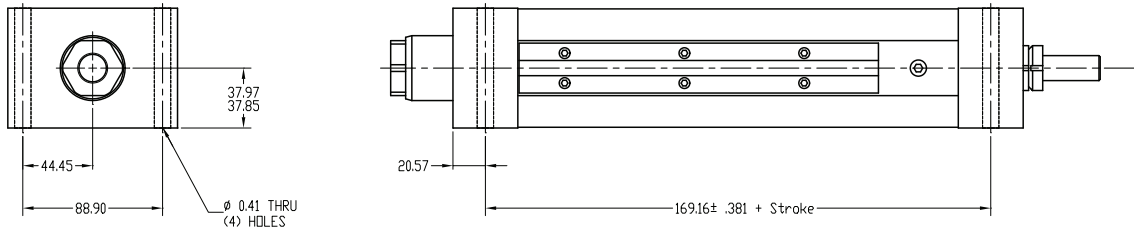
**HD302 Bottom Mount Dimensions**



**HD302 Front Flange Mount Dimensions**



**HD302 Foot Mount Dimensions**



**HD302 Trunnion Front Mount or Rear Mount Dimensions**

