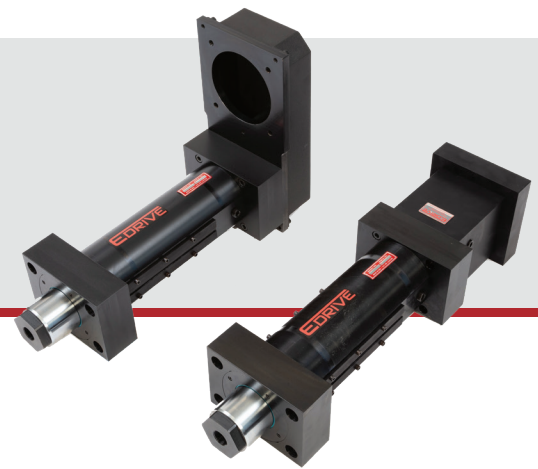
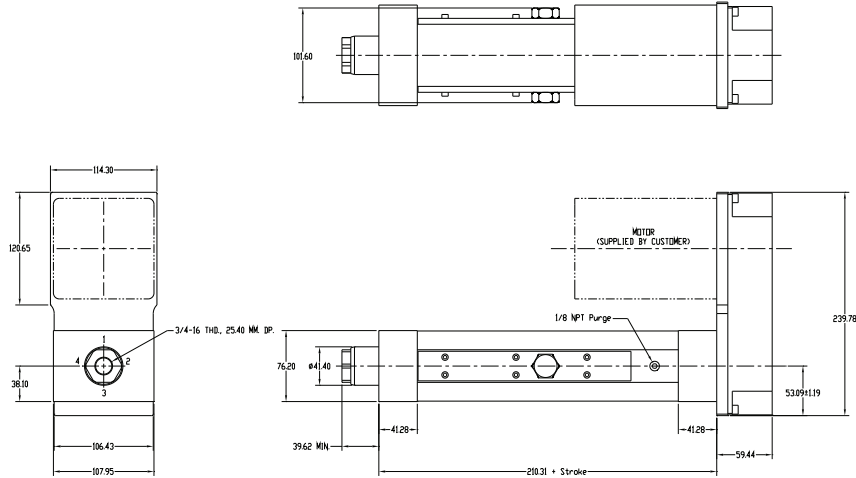


Eliminator HD304 Actuator
Without Switch Tracks for Mounting Limit Switches
Metric Dimensions

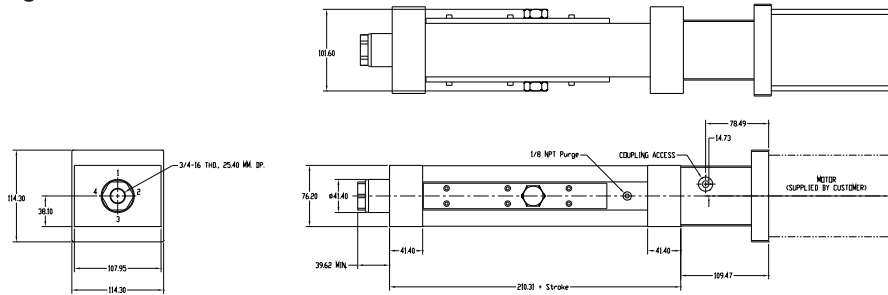


Motor Mount Configurations (*choose one*)

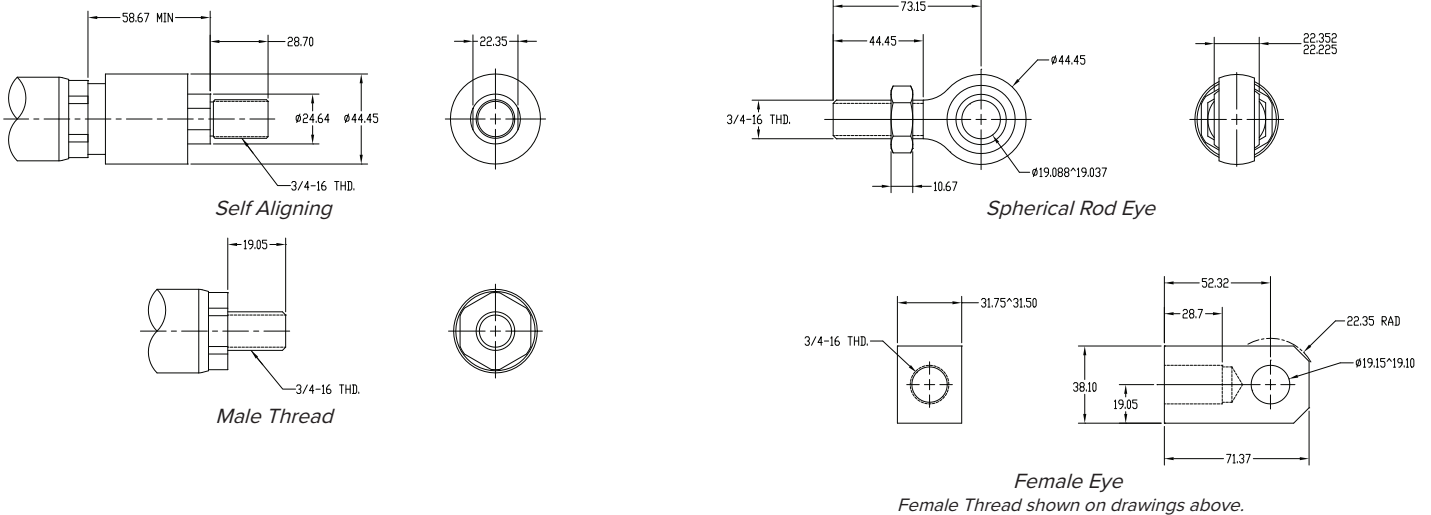
HD304 Parallel Offset Motor Configuration



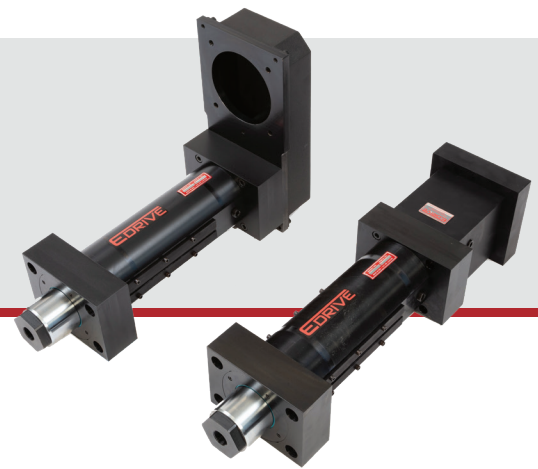
HD304 Inline Motor Configuration



HD304 Rod End Conditions (*choose one*)

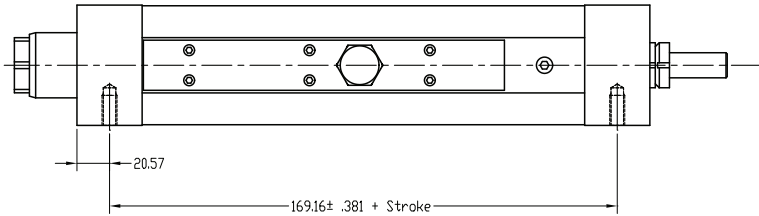
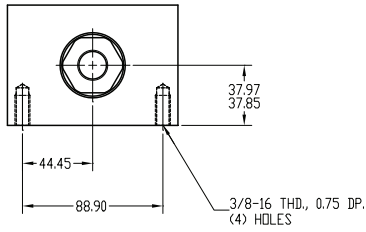


Eliminator HD304 Actuator
Without Switch Tracks for Mounting Limit Switches
Metric Dimensions

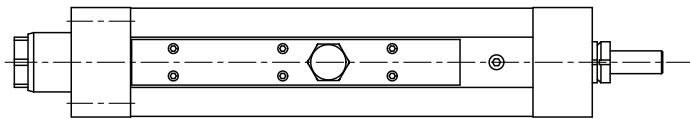
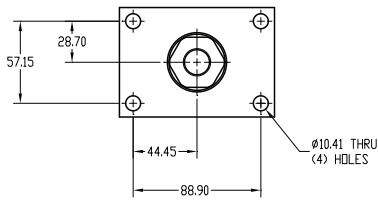


HD304 Actuator Mount Configurations (*choose one*)

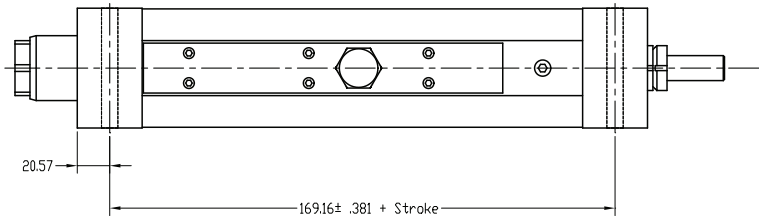
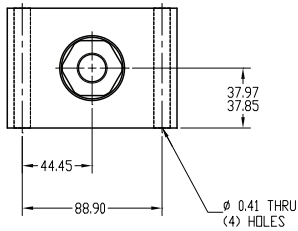
HD304 Bottom Mount Dimensions



HD304 Front Flange Mount Dimensions



HD304 Foot Mount Dimensions



HD304 Trunnion Front Mount or Rear Mount Dimensions

