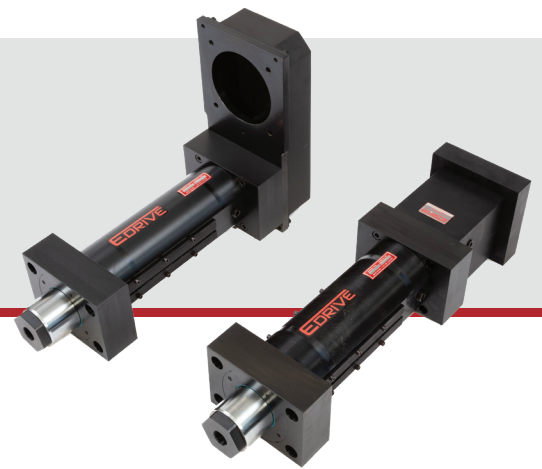
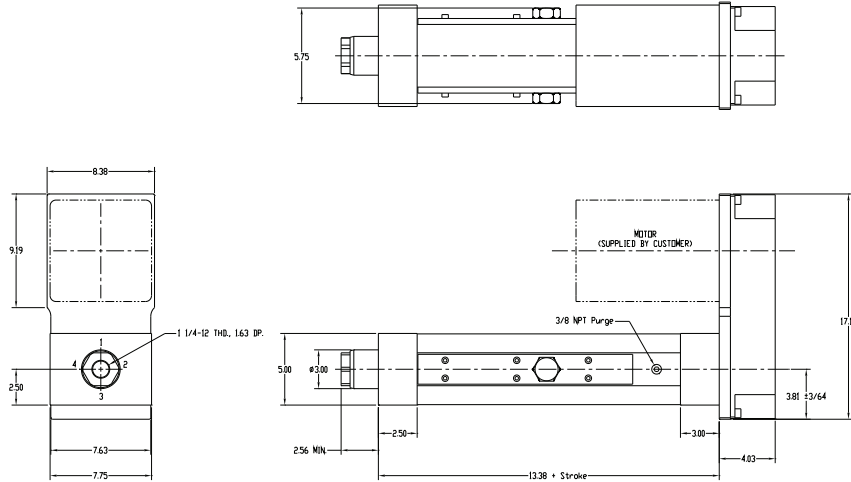


Eliminator HD508 Actuator
Without Switch Tracks for Mounting Limit Switches
English Dimensions

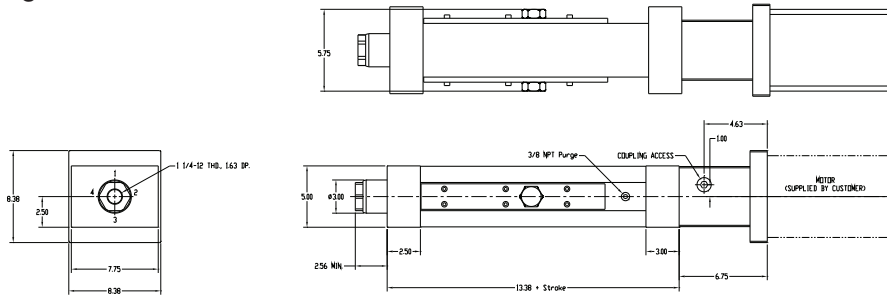


Motor Mount Configurations (*choose one*)

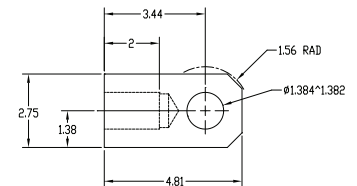
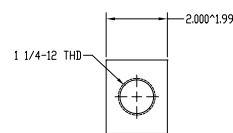
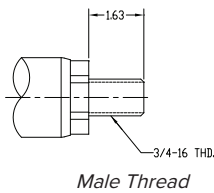
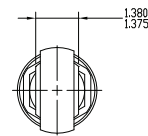
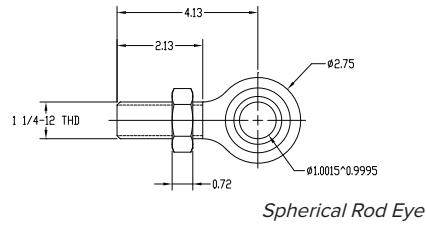
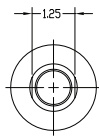
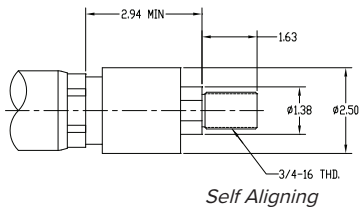
HD508 Parallel Offset Motor Configuration



HD508 Inline Motor Configuration

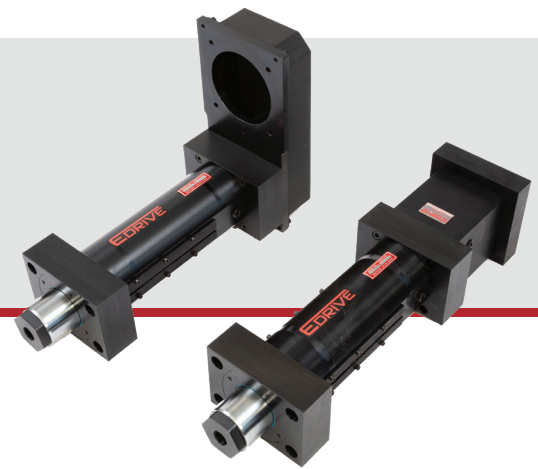


HD508 Rod End Conditions (*choose one*)



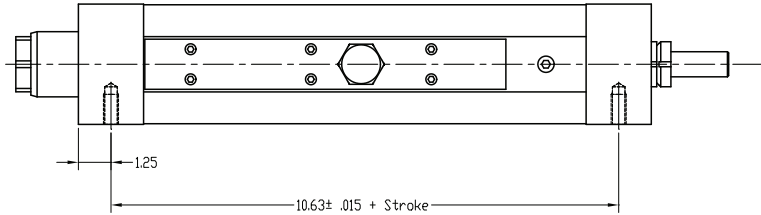
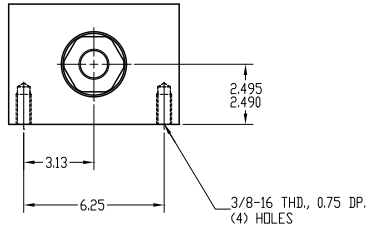
Female Thread shown on drawings above.

Eliminator HD508 Actuator
Without Switch Tracks for Mounting Limit Switches
English Dimensions

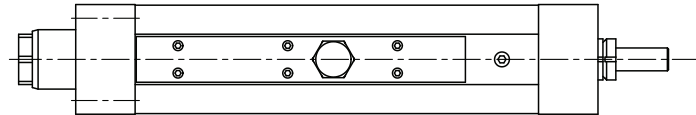
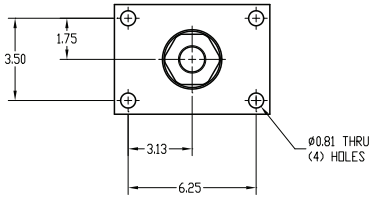


HD508 Actuator Mount Configurations (*choose one*)

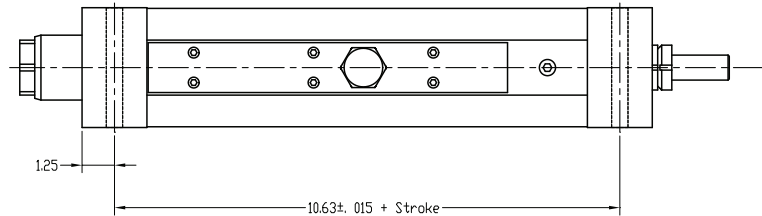
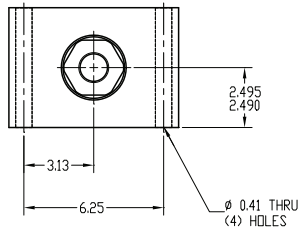
HD508 Bottom Mount Dimensions



HD508 Front Flange Mount Dimensions



HD508 Foot Mount Dimensions



HD508 Trunnion Front Mount or Rear Mount Dimensions

